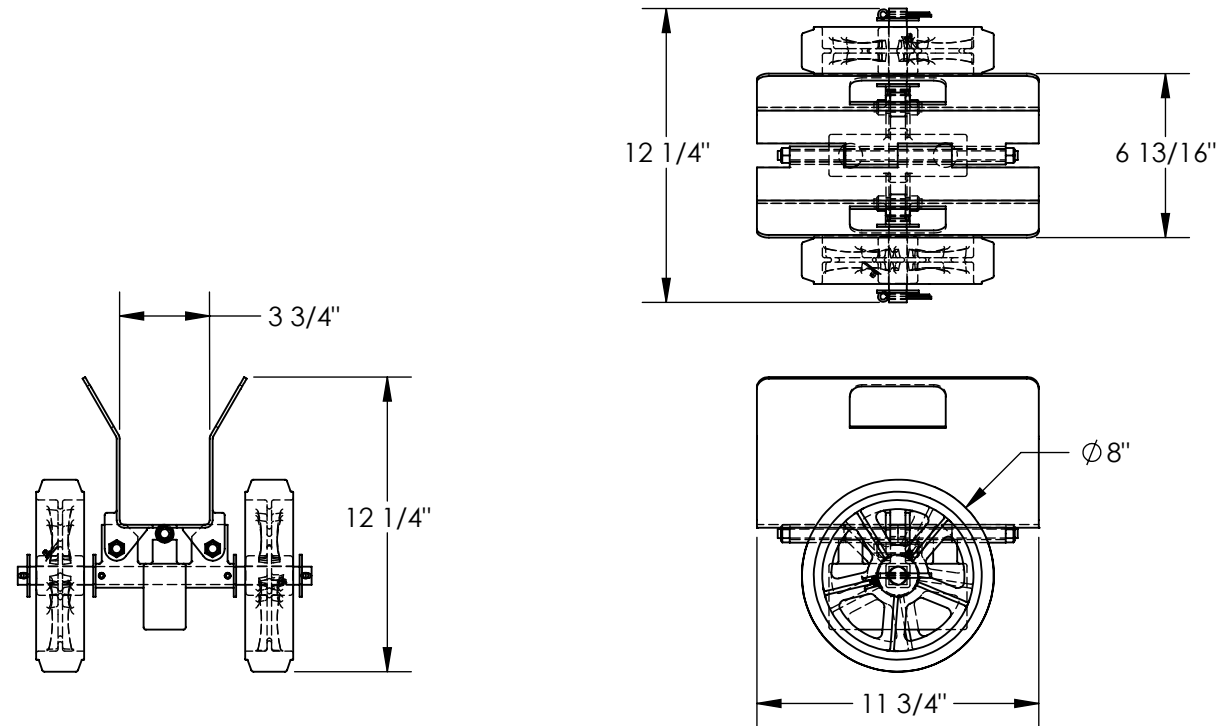


HEAVY DUTY DOLLY - PLDL-HD-4-8MR

APPROX WEIGHT: 42.19 lbs.
DOES NOT INCLUDE WEIGHT OF POWER OR PACKAGING!!!

*** ANY ADDITIONS, DELETIONS, OR OMISSIONS MUST BE CORRECTED ON THIS DRAWING AS THIS DRAWING WILL BE CONSIDERED ALL INCLUSIVE ***

ALL GRAPHICS PROVIDED ARE FOR REFERENCE ONLY. IF CERTAIN DIMENSIONS ARE CRITICAL PLEASE VERIFY THOSE DIMENSIONS WITH YOUR SALESPERSON



STANDARD FEATURES

- MODEL NUMBER IS PLDL-HD-4-8MR
- CAPACITY IS: 1,200 LBS.
- OVERALL WIDTH IS: 12 1/4"
- MAX. USABLE WIDTH IS 3 3/4"
- OVERALL LENGTH IS: 11 3/4"
- OVERALL HEIGHT IS: 12 1/4"
- DOLLY AUTOMATICALLY CLAMPS WHEN WEIGHT IS APPLIED
- STRAP (NOT INCLUDED) CAN BE HOOKED TO HAND SLOTS
- USES TWO 8" RUBBER-ON-STEEL WHEELS
- TOUGH BAKED IN POWDER COAT BLUE FINISH

SPECIAL FEATURES

NONE

DIMENSION TOLERANCE ± 1/4"

APPROVAL	I, THE UNDERSIGNED, AGREE THAT THE PRODUCT AS REPRESENTED SATISFIES DESIGN AND DIMENSION REQUIREMENTS. I ALSO ACKNOWLEDGE MY DUTY TO CONFIRM PRODUCT AND INSTALLATION COMPLIANCE WITH ALL APPLICABLE FEDERAL, STATE AND LOCAL REGULATIONS AND STANDARDS.	
	UNITS REQUIRING APPROVAL DRAWINGS OR MODIFIED ARE NON-RETURNABLE	
	[] As drawn [] As marked	
	Signed: _____ Date: _____	
Printed Name: _____		LEAD TIME WILL START UPON RECEIPT OF SIGNED APPROVAL DRAWING

DISTRIBUTOR'S NAME:		P.O.#
VESTIL MANUFACTURING		X
DRAWN BY: TAL		DATE: 9/4/2020
REFERENCE: X		SCALE: 1:8
QUOTED LEAD TIME: X		QUOTE # X
		SALES: X
		FILE NAME: 16-007-514